

# YOBIIQ DSMR Reader

A LoRaWAN® connected DSMR Reader

The YOBIIQ DSMR is a member of our Smart Environment Modules family and aims to integrate real world usability into a LoRaWAN device. The DSMR reads realtime information from the connected electricity and gas meter.

The DSMR enables you to have a realtime view of your usage, together with other Smart Environment Modules and the power of AI analytics you can control the energy usage.



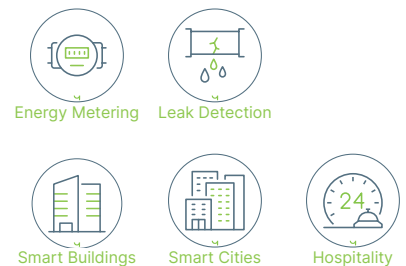
## benefits of the DSMR Reader.



- Remote readings of the connected DSMR meter.
- The device is capable of reading and processing the entire telegram. You can monitor the Electricity and Gas usage with the DSMR, if supported by your meter.
- 2 pulse inputs which can be used for watermeters or other energy meters.
- DSMR Relay port, a secondary port is available to forward the DSMR signals to third party devices like solar converters or curtailment nodes.

## what are the features

- 2 pulse inputs to connect other energy readings.
- Secondary DSMR port to connect third party equipment that needs the DSMR telegrams.
- The DSMR Reader has a internal temperature / humidity sensor
- Easy wall-mounting by screws or tape.
- Power supply : Powered by Smart Meter or 5VDC USB-C
- Simple deployment and configuration
- Compliant with standard LoRaWAN® gateways and network servers
- Quick and easy management with YOBII Cloud



Detect leaks in your electricity cabinet by adding our **LEAKAGE** detection set.



# YOBIIQ DSMR Reader

## A LoRaWAN<sup>®</sup> connected DSMR Reader

### Technical and Functional System Specifications

#### General System Parameters

Power Supply	Powered by Energy Meter or by external 24VDC	
Operating Temperature	0°C to 60°C	
Relative Humidity	5% - 80% non condensing	
Ingress Protection	IP30	
Size	140×140×20	
Weight	114g	
Installation	Wall Screw Mounting or 3M Tape Mounting	

#### Radio / Wireless

Technology	LoRaWAN 1.0.4	BLE
Device Class	Class A or C	-
Frequency	EU 863-870MHz other regions available upon request	2.4GHz ISM
RF Power	14dBm	0 dBm
Antenna	Internal	Internal
Supported LoRaWAN Features	OTAA, ADR	
LoRaWAN Security	LoRaWAN End-to-End encryption	

#### Interfaces

Primary	Dutch Smart Meter Protocol V3.0 and above
Secondary	Signal throughput of Primary Port.
Digital Input	Opto-isolated Digital Inputs, 3-24VDC (pulse counter support)

#### Regulatory Compliance

Security	IEC 60529-1
CE	Low Voltage Directive (EU/2014/30) EMC Directive (EU/2014/35) Radio Equipment Directive (RED) (EU/2014/53)

#### Sensors

Temperature	-10°C to 80°C (+/- 0.3°C)
Humidity	0-100% Rv (+/- 2%)

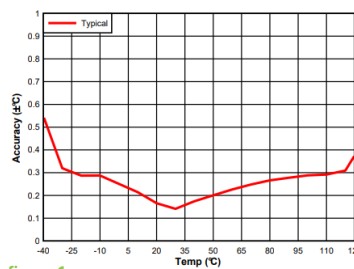


figure 1  
Accuracy temperature sensor

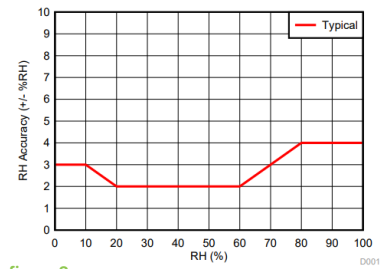


figure 2  
Accuracy RH sensor

# YOBIIQ DSMR Reader

A LoRaWAN® connected DSMR Reader

## Mounting Advice

The installation can be performed on a flat wall surface.

If you are considering to use the Temperature en Humidity sensor, a representative place should be selected.

Sunshine and draft, e.g. in the installation tube should be avoided, to avoid influencing the measurements. Seal the end of the installation tube.

- To connect the wiring to the device, the lower part of the enclosure needs to be removed from the base plate. On the bottom of the lower part there are 2 screws that can be removed.
- The mounting of the enclosure on a flat wall surface is done with screws and rawplugs or with the optional 3M mounting tape.

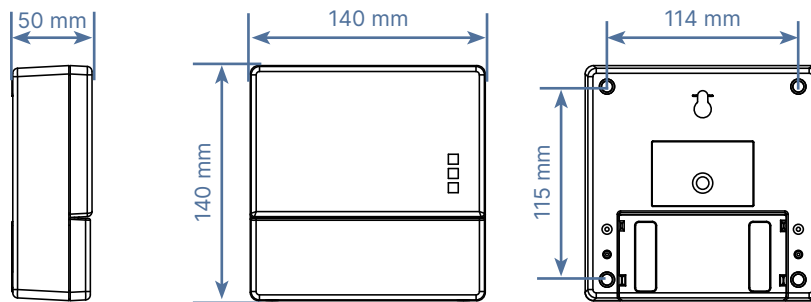
Removing the upper part of the enclosure will void the warranty off the device, it contains no user serviceable parts!



Read the user manual for Important Safety and usage information before installing the device



## Dimensions



## Ordering Information

YOBIIQ DSMR Reader - LoRaWAN 868MhZ

Art. No. 1002005

3M Mounting Tape for Enclosure

Art. No. xxxxxx

IP Protection for Enclosure

Art. No. xxxxx

Plugs and Screws

Art. No. xxxxx

## BMS INTEGRATION

You can integrate our devices directly with various Building Management Systems and leverage the valuable data they provide.

Connecting our LoRaWAN devices to a BMS is fairly easy, all you need on-site except devices is a LoRaWAN Gateway with an internal network server. The BMS can get the data from the Gateway by interfacing with it. YOBIIQ keeps a well-documented communication protocol for it's end devices. Our System Integrators can support you with the BMS Integration.

